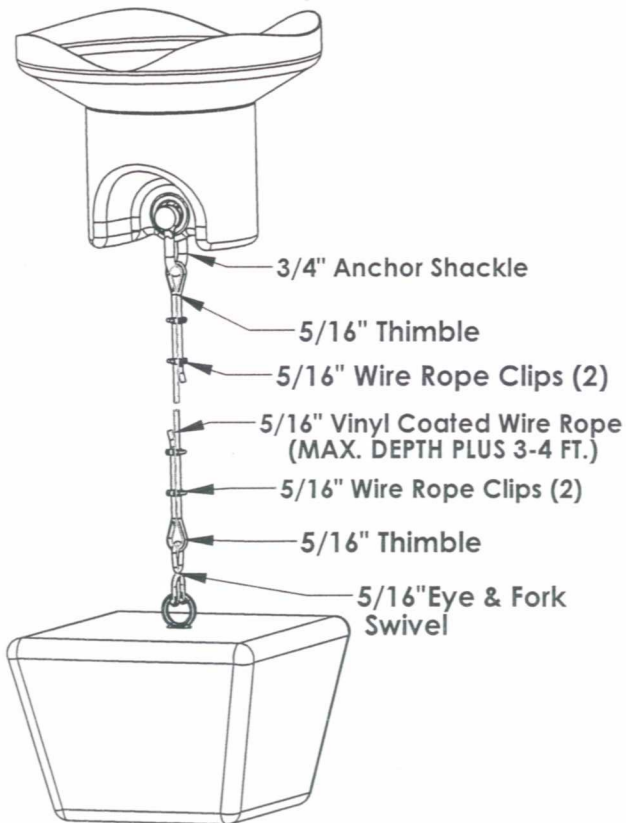


# MARKER BUOY ANCHORING SUGGESTIONS

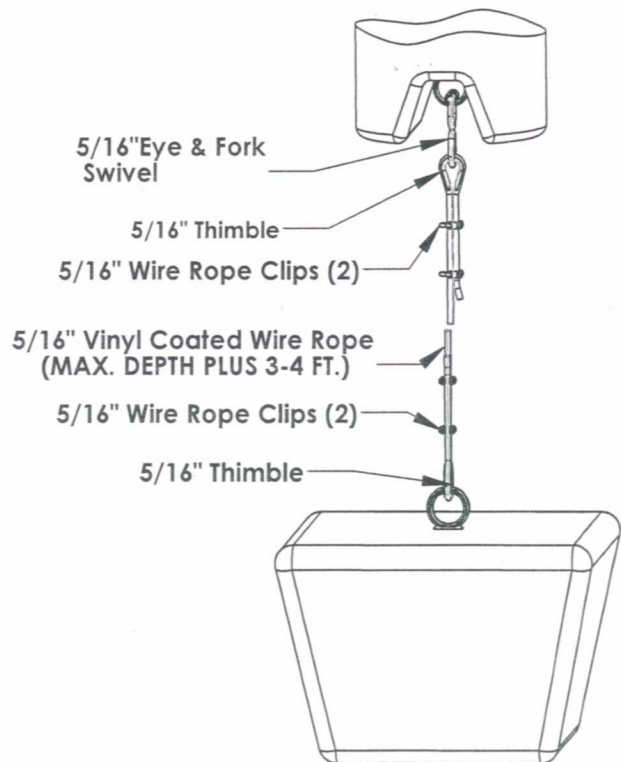


## NEW STYLE SURMARK



Anchor to suit; 100# minimum

## CURRENT STYLE SURMARK



Anchor to suit; 100# minimum

**NOTE:** The design requirements of a buoy system should be determined by a qualified engineer familiar with the specific application as well as the local conditions. This information is provided for informational purposes only. These are not intended to be suggested designs. The company does not assume responsibility for any installation based upon this information.

### *Taylor Made Products*

65 Harrison Street, Gloversville, NY, 12078

Phone: 518-773-9400

Fax: 518-725-4910

[www.taylormadeproducts.com](http://www.taylormadeproducts.com)

7/1/2005  
REV 2 JPK