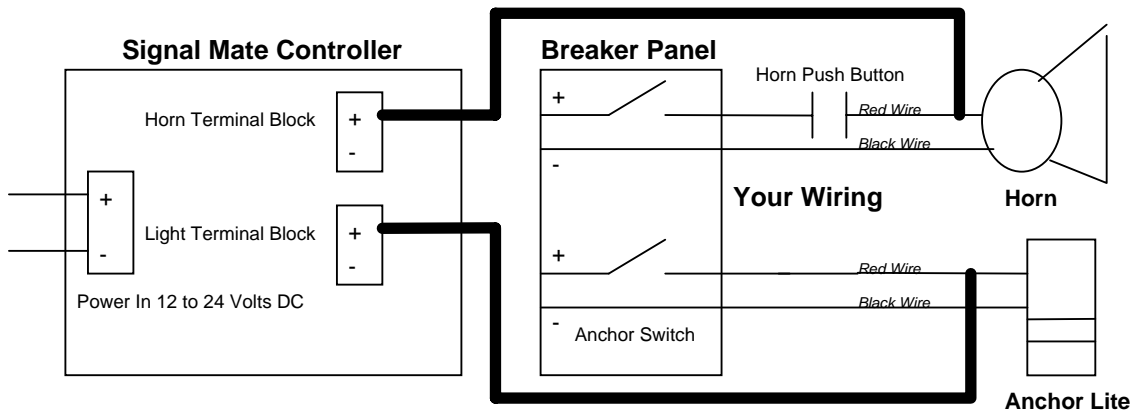


Signal Mate Wiring Diagrams

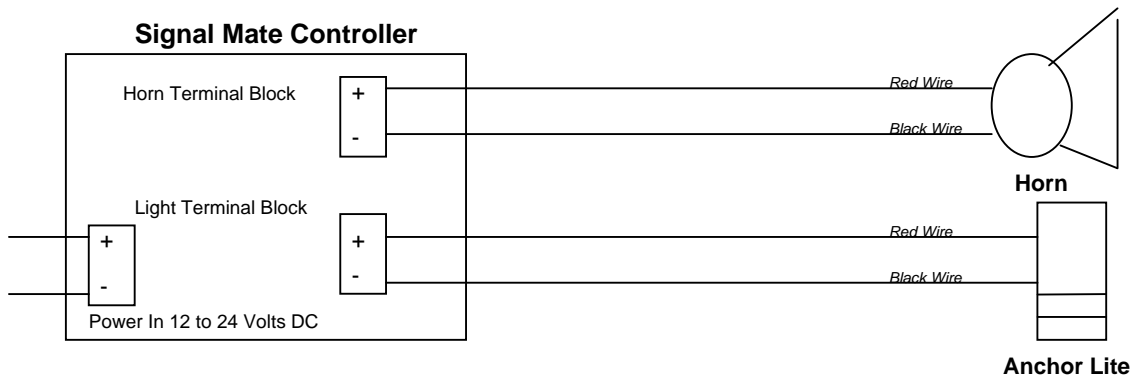
The same for all 3 SM Controller Models

Retrofit Existing Horn & Anchor Light



Just add 2 wires one to the horn side of push button the second to the anchor side of breaker switch.

New SM Controller, Horn & Anchor Light Installation



Signal Mate is capable of 20 amp (max) fuses for both horn & anchor Light.

Fuses should be changed to 120% the maximum load (horn,light) current in amps.

Example: A 1 amp anchor light x 120% = 1.2 amp fuse

No need to go through the breaker panel.

SM has Manual & a Latching mode so the horn and anchor light can be operated as in the top diagram.

You now have full control over your horn and anchor light in Automatic (preprogrammed), Manual or Latching Modes.

www.SignalMate.com

