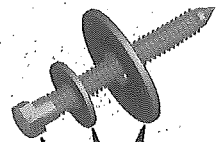
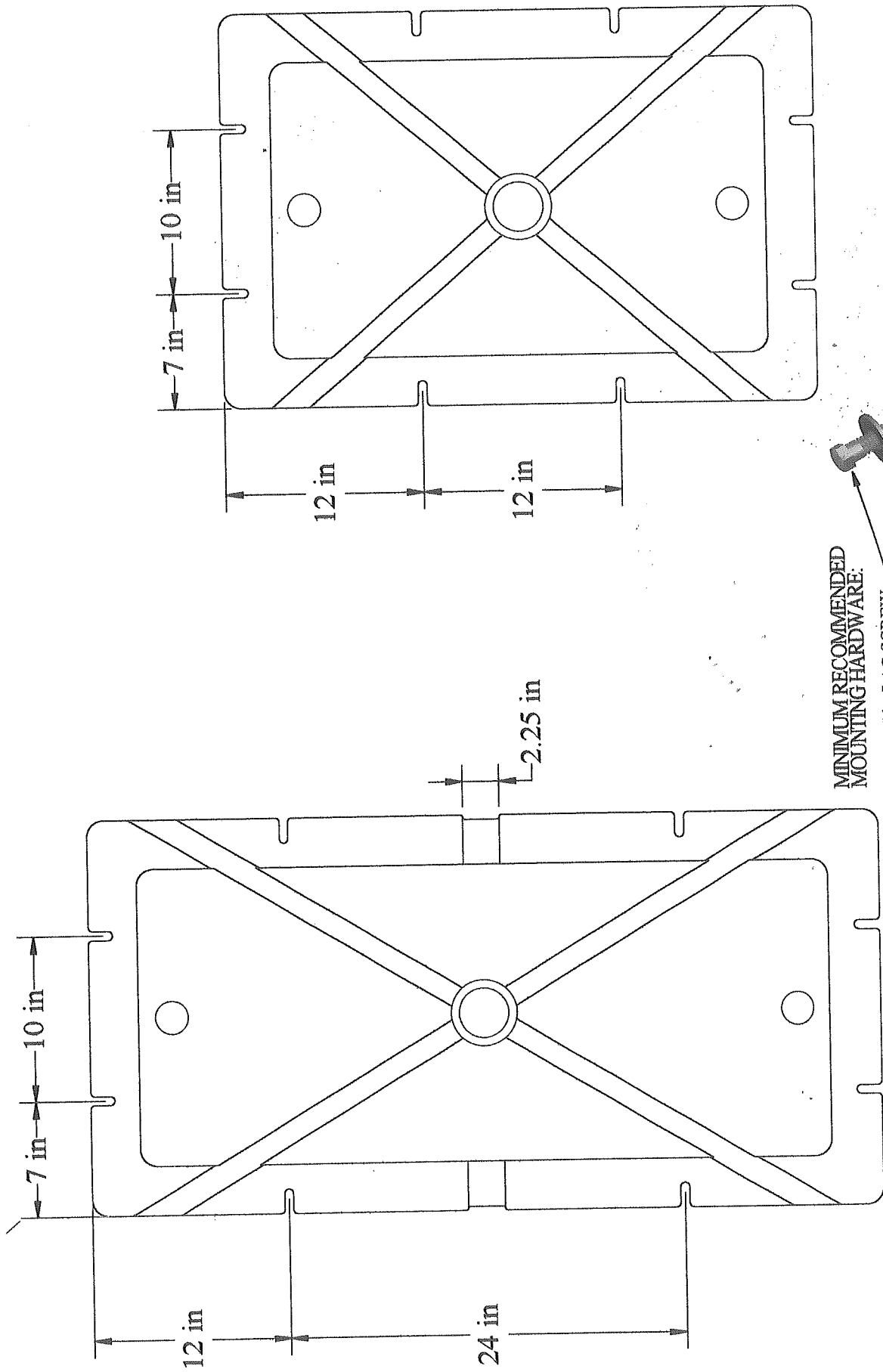


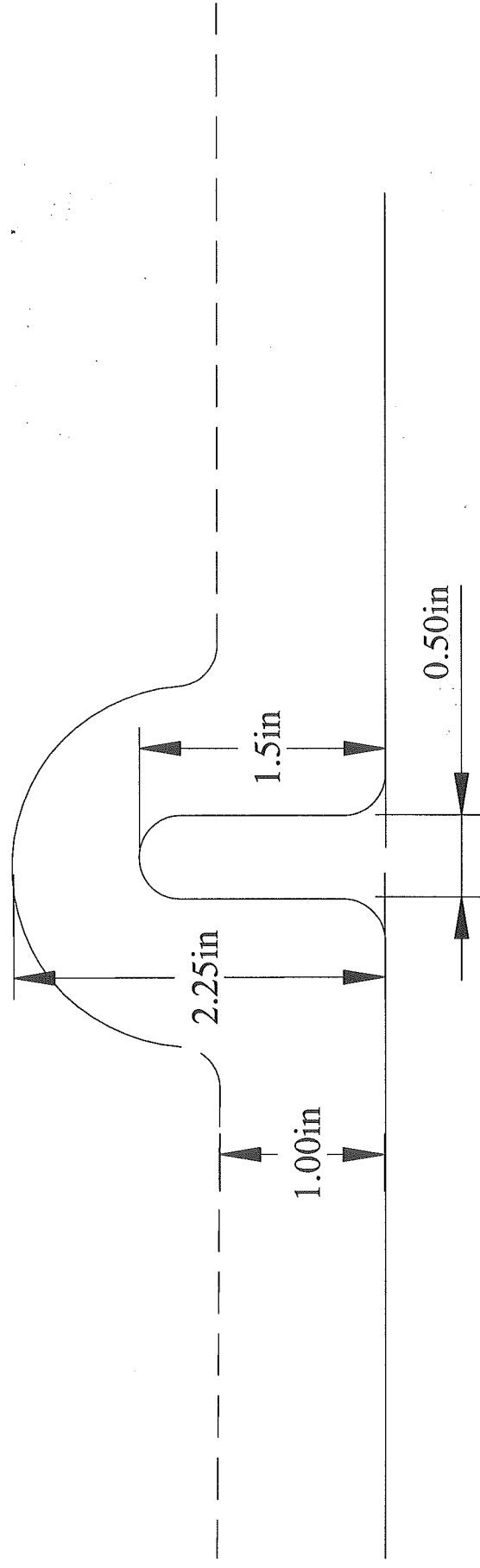
TAYLOR MADE PRODUCTS



MINIMUM RECOMMENDED MOUNTING HARDWARE:

- 3/8" X 3" lg. LAG SCREW
- 3/8" WASHER & 5/8" WASHER
- American National Standard Type A Plain Washers (Series W)

Use galvanized hardware for longer life or salt water applications.



Dimensional detail of dockfloat mounting flange