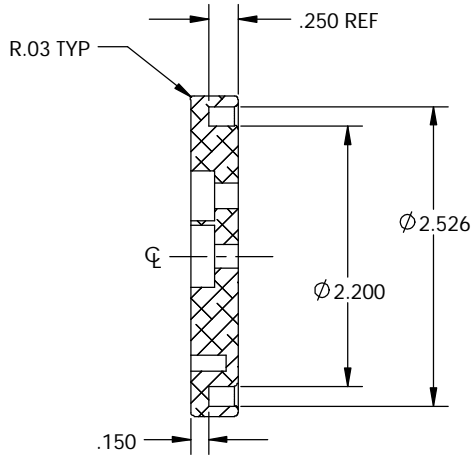
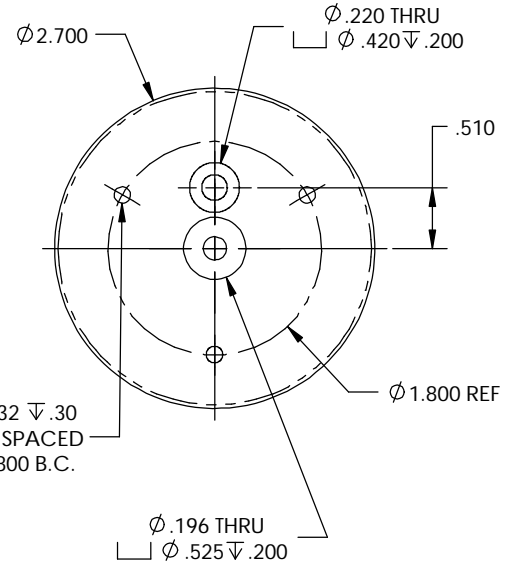
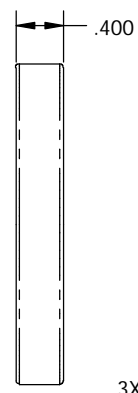
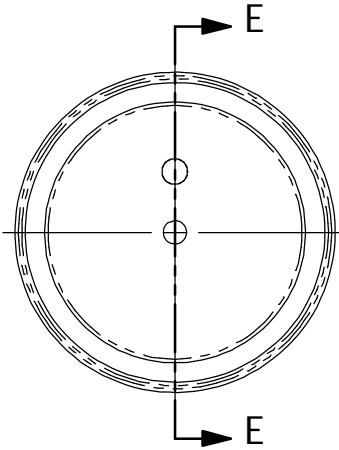


D:\Projects\04-0182\052604\30008.SLDDRW

- NOTES:
 1. UNLESS OTHERWISE NOTED, BREAK ALL SHARP EDGES AND DEBURR.
 2. INSIDE RADII .010 MAX, UNLESS OTHERWISE NOTED.



SECTION E-E



3X TAP 6-32 ∇ .30
 EQUALLY SPACED
 ON ϕ 1.800 B.C.

MATERIAL: 6061-T6 ALUMINUM
 FINISH: HARD ANODIZE, BLACK
 WEIGHT: 0.184 LBS.



Orca Green Marine

BOTTOM, HOUSING, LIGHT
TRI-COLOR LIGHT

DO NOT SCALE PRINT		DRAWING NO. 30008		REV F
TOLERANCES UNLESS OTHERWISE SPECIFIED		SCALE: 1:1	DATE 08-18-04	SHEET 1 OF 1
.XX \pm .010	.XXX \pm .005	SIZE B		
ANGLE \pm .5°				